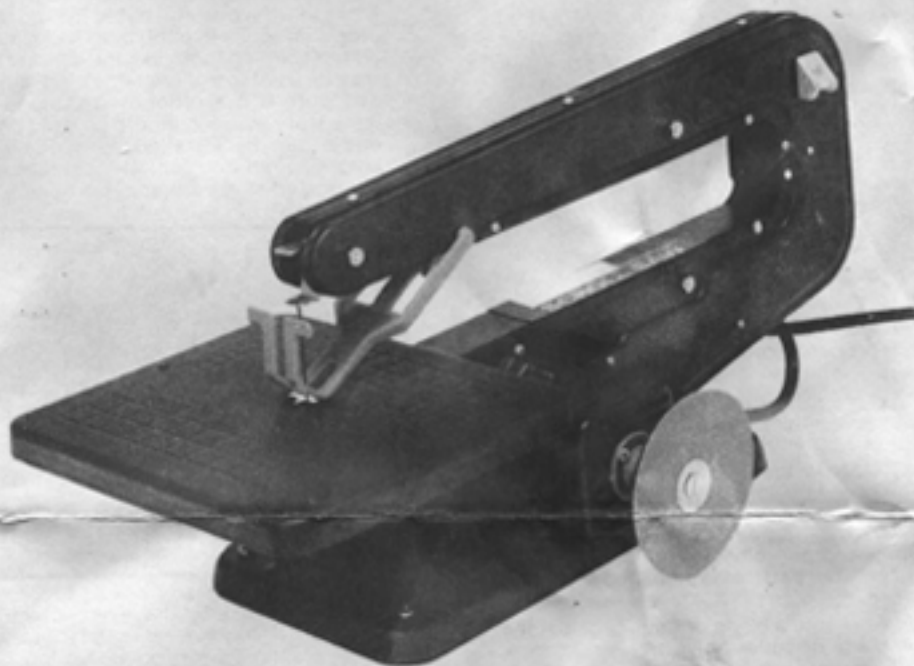


DREMEL[®] MOTO-SHOP[®]

owner's manual



15" SCROLL SAW/SANDER/ FLEXIBLE SHAFT & ACCESSORIES

*Deluxe Shop Cat. No. 572 • Basic Shop Cat. No. 571
assembly • operation • repair parts*

WARNING:

For your own SAFETY,
read your OWNERS
MANUAL before operating
your DREMEL
MOTO-SHOP

DREMEL

DIV. OF EMERSON ELECTRIC CO.

4915-21st St. Racine, Wisconsin 53406

RULES FOR SAFE OPERATION

1. Keep guards in place and in working order.
2. Remove adjusting keys and wrenches. Form habit of checking to see that keys and adjusting wrenches are removed from tool before turning it on.
3. Keep work area clean. Cluttered areas and benches invite accidents.
4. Don't use in dangerous environment. Don't expose tools to rain. Don't use power tools in damp or wet locations. Don't use power tools in flammable or explosive atmospheres. Avoid chemical or corrosive environments. Keep work area well lit.
5. Keep children away. All visitors should be kept a safe distance from work area.
6. Make workshop kid-proof with padlocks, master switches, or by removing starter keys.
7. Don't force tool. It will do the job better and safer at the rate for which it was designed.
8. Use right tool. Don't force tool or attachment to do a job it was not designed for.
9. Wear proper apparel. No loose clothing, gloves, neckties, rings, bracelets, or other jewelry to get caught in moving parts. Non-slip footwear is recommended. Wear protective hair covering to contain long hair.
10. Always use safety glasses. Also use face or dust mask if cutting operation is dusty. Everyday eyeglasses only have impact resistant lenses, they are not safety glasses.
11. Secure work. Use clamps or a vise to hold work when practical. It's safer than using your hand and it frees both hands to operate tool.
12. Don't overreach. Keep proper footing and balance at all times.
13. Maintain tools with care. Keep tools sharp and clean for best and safest performance. Follow instructions for lubricating and changing accessories.
14. Disconnect tools before servicing; when changing accessories such as blades, bits, cutter, etc.
15. Reduce the risk of unintentional starting. Make sure switch is in "OFF" position before plugging in.
16. Use recommended accessories. Consult the owner's manual for recommended accessories. The use of improper accessories may cause risk of injury to persons.
17. Never stand on tool. Serious injury could occur if the tool is tipped or if the cutting tool is unintentionally contacted.
18. Check damaged parts. Before further use of the tool, a guard or other part that is damaged should be carefully checked to assure that it will operate properly and perform its intended function—check for alignment of moving parts, binding of moving parts, breakage of parts, mounting, and any other conditions that may affect its operation. A guard or other part that is damaged should be properly repaired or replaced.
19. Direction of feed. Feed work into a blade or cutter against the direction of rotation of the blade or cutter only.
20. NEVER LEAVE TOOL RUNNING UNATTENDED. TURN POWER OFF. Don't leave tool until it comes to a complete stop.
21. Be alert. Don't use power tools when tired or fatigued. Don't use power tools after taking drugs, alcohol or medications.



GROUNDING INFORMATION

In the event of a malfunction or breakdown, grounding provides a path of least resistance for electric current to reduce the risk of electric shock. This tool is equipped with an electric cord having an equipment-grounding conductor and a grounding plug. The plug must be plugged into a matching outlet that is properly installed and grounded in accordance with all local codes and ordinances.

Do not modify the plug provided — if it will not fit the outlet, have the proper outlet installed by a qualified electrician.

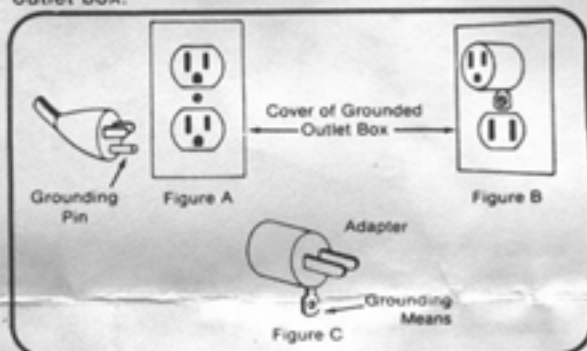
Improper connection of the equipment-grounding conductor can result in a risk of electric shock. The conductor with insulation having an outer surface that is green with or without yellow stripes is the equipment-grounding conductor. If repair or replacement of the electric cord or plug is necessary, do not connect the equipment-grounding conductor to a live terminal.

Check with a qualified electrician or serviceman if the grounding instructions are not completely understood, or if in doubt as to whether the tool is properly grounded.

Use only 3-wire extension cords that have 3-prong grounding plugs and 3-pole receptacles that accept the tool's plug.

Repair or replace damaged or worn cord immediately.

This tool is intended for use on a circuit that has an outlet that looks like the one illustrated in Figure A. The tool has a grounding plug that looks like the plug illustrated in Figure A. A temporary adapter, which looks like the adapter illustrated in Figure B and C, may be used to connect this plug to a 2-pole receptacle as shown in Figure B if a properly grounded outlet is not available. The temporary adapter should be used only until a properly grounded outlet can be installed by a qualified electrician. The green-colored rigid ear, lug, etc. extending from the adapter must be connected to a permanent ground such as a properly grounded outlet box.



The operation of any power tool can result in foreign objects being thrown into the eyes, which can result in severe eye damage. Always wear safety glasses or eye shields before commencing power tool operation.

NOTE: The adapter illustrated is for use only if you already have a properly grounded 2-prong receptacle. Adapter is not allowed in Canada by the Canadian Electrical Code.

The use of any extension cord will cause some loss of power. To keep this to a minimum and to prevent overheating and motor burn-out, use the table below to determine the minimum wire size (A.W.G.) extension cord. All cords should be 3-wire grounded.

Extension Cords

Use only three-wire extension cords that have three-prong grounding type plugs and three-pole receptacles that accept the tool plug. Replace or repair damaged or worn cord immediately.

| Extension Cord Length | Wire Size A.W.G. |
|-----------------------|------------------|
| 50 ft. or less | No. 16 |
| 100 ft. or less | No. 14 |

DREMEL LIMITED WARRANTY

Your Dremel product is warranted against defective material or workmanship for a period of one year from date of purchase. In the event of a failure of a product to conform to this written warranty, you should return the product, along with proof of purchase date and a written statement about the nature of the problem, to:

Dremel Service Center
4915 21st Street
Racine, WI 53406

or any authorized Dremel Service Center.

No employee, agent dealer or other person is authorized to give any warranties on behalf of Dremel. If Dremel inspection shows that the problem was caused by defective material or workmanship within the limitations of the warranty, Dremel will repair or replace the product free of charge and return product prepaid. Repairs made necessary by normal wear or abuse, or repair for product outside the warranty, if they can be made, will be charged at regular factory prices.

DREMEL MAKES NO OTHER WARRANTY OF ANY KIND WHATSOEVER, EXPRESSED OR IMPLIED, AND ALL IMPLIED WARRANTIES OF MERCHANTABILITY AND FITNESS FOR A PARTICULAR PURPOSE WHICH EXCEED THE ABOVE MENTIONED OBLIGATION ARE HEREBY DISCLAIMED BY DREMEL AND EXCLUDED FROM THIS LIMITED WARRANTY.

This warranty gives you specific legal rights and you may also have other rights which vary from state to state. The obligation of the warrantor is solely to repair or replace the product. The warrantor is not liable for any incidental or consequential damage to such defect. Some states do not allow the exclusion or limitation of incidental or consequential damages; therefore the above limitations or exclusions may not apply to you.

For prices and warranty fulfillment outside the Continental United States, contact your local Dremel distributor.

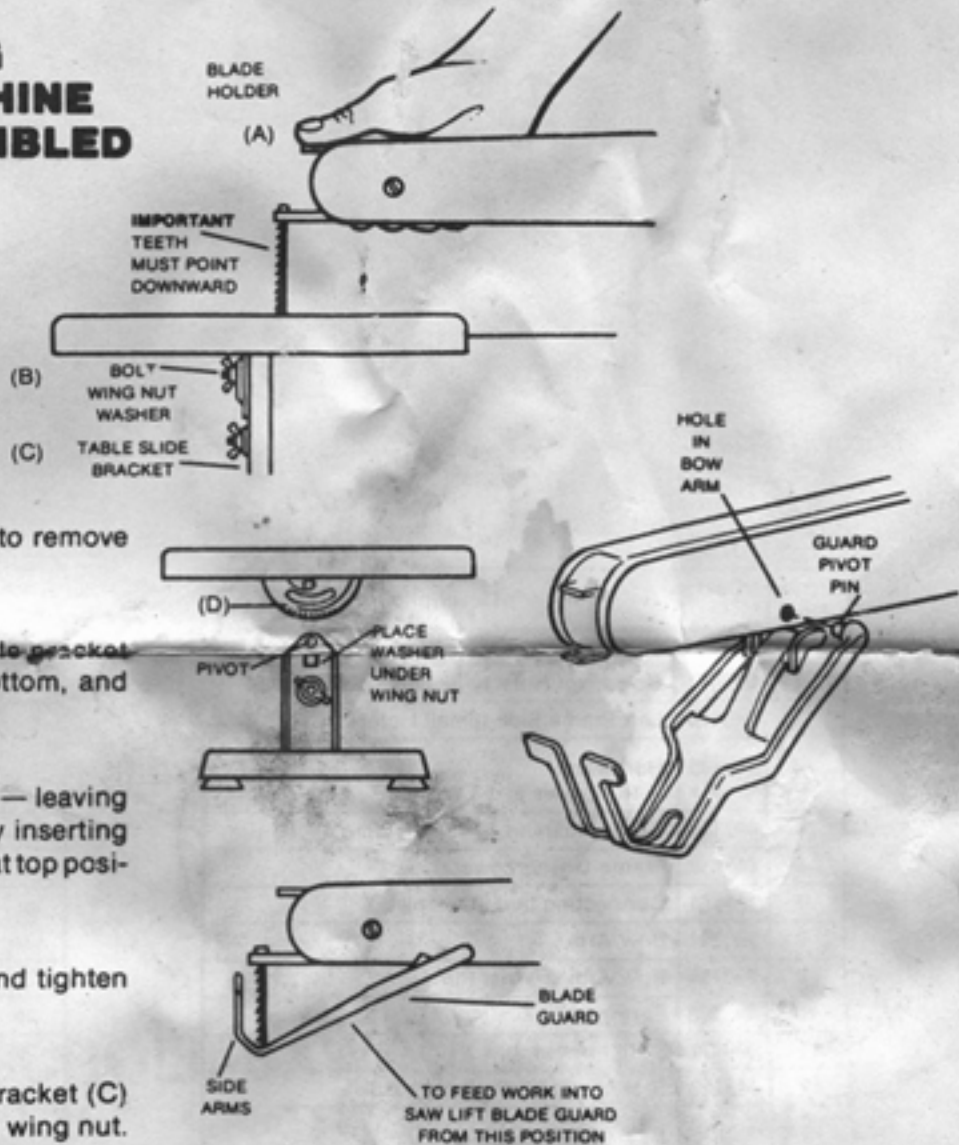
ASSEMBLY

For the most pleasure from your Scroll Saw/Sander follow these instructions carefully:

DO NOT CONNECT PLUG TO OUTLET UNTIL MACHINE IS COMPLETELY ASSEMBLED

ATTACHING SAW TABLE

1. Push lever (A) down as illustrated — to remove blade.
2. Loosen bottom wing nut and slide table bracket (C) upward about 1½ inches from bottom, and tighten.
3. Remove top wing nut (B) and washer — leaving bolt in position — and attach table by inserting bolt through curved slot (D) with hole at top positioned over pivot.
4. Place washer on outside of bracket and tighten wing nut.
5. Loosen bottom wing nut — let slide bracket (C) drop into original position and tighten wing nut.
6. Replace saw blade (be sure teeth are pointing downward) by inserting blade into lower blade holder — then push lever down and insert into upper blade holder.
7. Attach blade guard with side arms on each side of blade and pointing upward. Insert one guard pivot pin in the matching hole in the bow arm. Spring pivot arms of guard slightly and snap other guard pivot pin into matching hole on the other side of the bow arm.



The Dremel Moto-Shop is a multi-purpose workshop. By connecting different attachments to the power takeoff, the unit is converted from the basic scroll saw to a sander, buffing wheel, and a flexible shaft machine. Then you are able to saw, drill, polish, rout, sharpen, sand, buff, carve, engrave and perform many other hobby, home or shop operations. Use with 5730 and 5731 accessory packs.

MAINTENANCE/OPERATION

Motor — Runs on 110-120 Volt, 60 Hz, AC, and produces 3450 R.P.M. It is equipped with two sealed ball bearings. No oiling is needed. Characteristically, this shaded pole-type motor runs a bit warm. However, this will not affect overall operation.

Oiling — A few drops of ordinary motor oil should occasionally be placed on the connecting link bearing through the hole on the left side of the frame. For oiling, lay unit on its side. Use SAE30 motor oil.

Cutting Capacity—Soft wood up to 1" and hardwood up to ½" in thickness can be cut. FEED WOOD SLOWLY. DO NOT FORCE. Saw is not recommended for cutting metals.

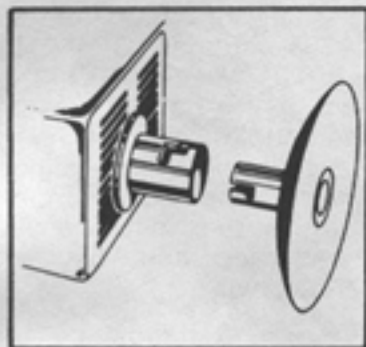
Blade Guard — The blade guard is considered one of the safest. It functions as a hold-down.

Increasing Blade Life — When blade teeth become dull in one spot simply loosen the lower wing nut, and raise the table to a section of new, unused teeth.

Tilting Table — For angle sawing, the table can be tilted in either direction. Loosen the top wing nut located just beneath the saw table, and tilt to the desired angle following the calibrated scale.

Making Inside Cuts — First, use the flexible shaft to drill two overlapping 1/8" holes in the area to be sawed out. Then, remove the blade, thread it through the hole, and return it to the cutting position.

Holding Scroll Saw In Place — On a fairly smooth table or bench, the rubber suction cups will keep it from sliding. Otherwise, set the machine on a ½" thick rubber pad, such as a household kneeling pad or typewriter cushion.



Attaching Accessories —The round extension on the motor housing is the power take-off for driving the sander, buffing wheel, and flexible shaft.

These are mounted on special adapters which fit into the power take-off. BE SURE THE

MOTOR IS TURNED OFF. Line up pin in the motor shaft with the slot in the adapter and press forward as far as it will go. Turn the wheel slowly until the adapter set screw comes into view. Then tighten lightly. This screw does not drive the shaft, it merely minimizes vibration and wheel drifting. It does not have to be too tight.

SAW BLADE MUST BE ATTACHED WHEN OPERATING POWER TAKE-OFF.

Recommended Accessories

8029—Fine Tooth blades.
8030—Coarse Tooth blades.
5730—Flexible-Shaft 23 Pc. Set.
5731—Saw/Sander 30 Pc. Set.

Sanding Discs

4227—(fine)
4228—(medium)
4229—(coarse)
4235—Buffing Wheel

It's a scroll saw — Handles everything from small scroll work to full size furniture work. Cuts soft wood up to 1¾", hard wood up to ½" and soft metals.

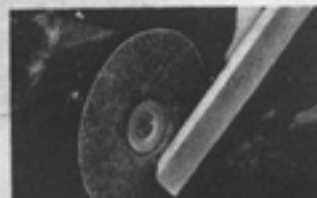


CUT LONG LENGTHS



BEVEL CUT

It's a Disc Sander — For shaping small pieces, sanding rough edges, trueing up uneven surfaces. Three disc grits permit fine, medium, coarse sanding.



SAND BEVELS



CONTOUR

FLEXIBLE SHAFT & ACCESSORIES



DRILLING

ROUTING

DEBURRING

GRINDING

SHARPENING

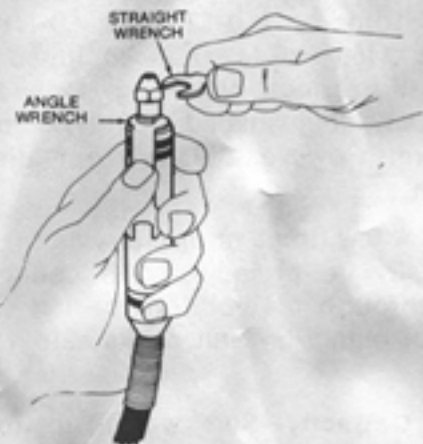
CARVING

Attaching Flexible Shaft — Be sure MOTOR IS RUNNING before the cable is engaged. DO NOT REMOVE OR LOOSEN SCREW IN NYLON COUPLING. Insert the black nylon coupling over the power take-off. Push the coupling on as far as it will go, and hold in place by turning the coupling counterclockwise. To prevent the cable from becoming disconnected while the machine is running, simply grasp the handpiece and twist the cable one-half turn counterclockwise.

Flexible Shaft Handpiece — The handpiece is equipped with a chuck that will accommodate 4 collet sizes: 1/8", 3/32", 1/16" and 1/32".

Chuck — Chuck consists of a chuck cap and collet. To change or insert bits use the two chuck wrenches furnished. Slip the short end of the angle wrench over flats on the shaft and hold the long portion of this wrench against the handpiece with one hand. With the shaft secured by the angle wrench, use the straight wrench to loosen or tighten the chuck cap. See illustration. With the chuck cap loose, an accessory should be inserted as deeply as possible to avoid wobble during use. Now, tighten chuck cap — **avoid excessive tightening.**

For best results, use the flexible shaft with a delicate



touch. To prevent stalling the motor, press the tool lightly against the work, and never force the tool beyond its capacity.

Use of any accessories or attachments other than those supplied by Dremel may be hazardous.

Use attachments and accessories only in their proper and intended manner.

CONTENTS OF ACCESSORY PACKS

571 (Basic)

| | | | |
|------|--------------------|------|-----------------------|
| 4211 | Arbor Adapter | 4227 | Sand. Disc — 1/2 grit |
| 8029 | Fine Blade | 4228 | Sand. Disc — 2/0 grit |
| 8030 | Coarse Blades (2) | 4229 | Sand. Disc — 4/0 grit |
| 4214 | Rubber Backing Pad | | |

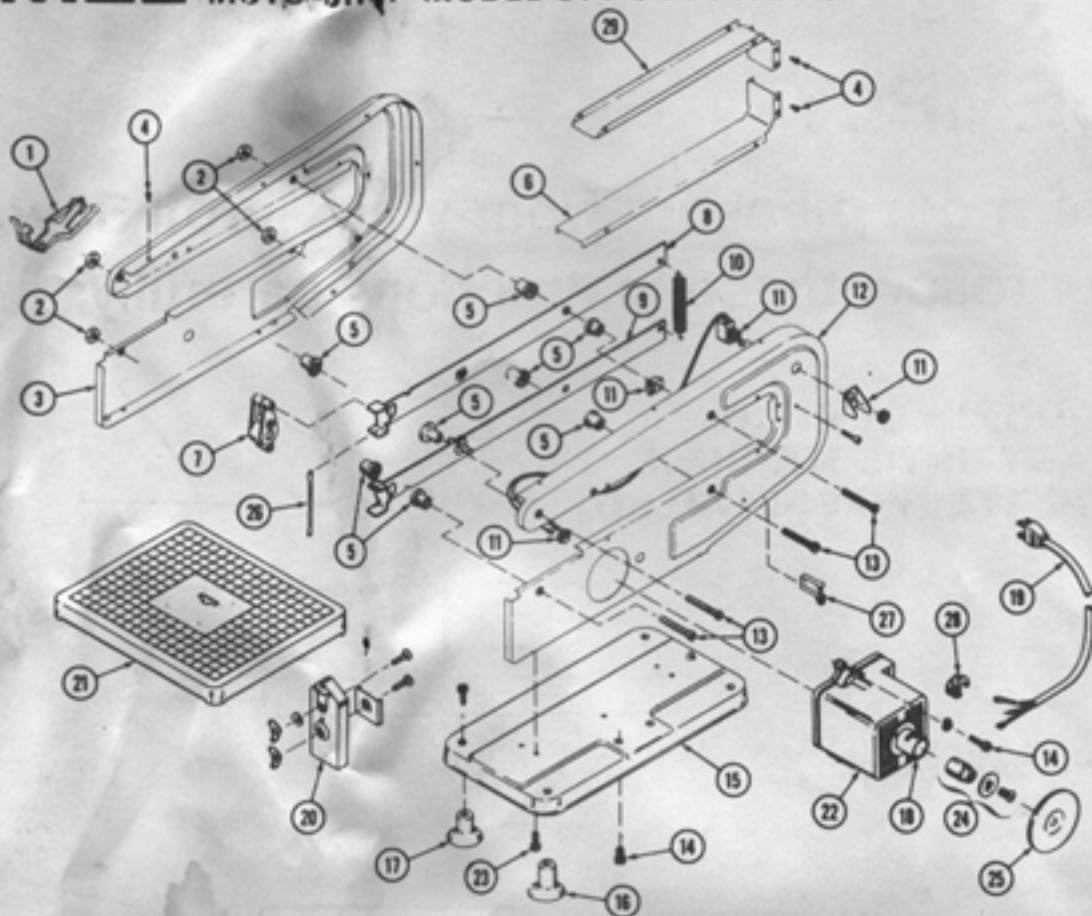
572 (Deluxe)

| | | | |
|---------|--------------------------|--------|------------------------------|
| 408 | Coarse Sander Bands (3) | 150 | 1/8" Drill Bit |
| 4235 | Cloth Buffing Wheel | 404 | Cup Brush |
| 8029 | Fine Blades (2) | 405 | Paste Brush |
| 8030 | Coarse Blade | 407 | Drum Sander |
| 4227 | Sand. Disc — 1/2 grit | 421 | Polishing Compound |
| 4228 | Sand. Disc — 2/0 grit | 428 | Wire Brush |
| 4229 | Sand. Disc — 4/0 grit | 194 | High Speed Cutter |
| 990199 | Flexible Shaft | 952 | Mounted Wheel Point |
| *484188 | Handpiece | 8202 | Plain Shaped Wheel Point |
| *990194 | Core w/Spring | 83702 | Silicon Grinding Wheel Point |
| *990195 | Casing w/Drive Connector | 990962 | Chuck Wrench |
| *660113 | Chuck Cap | 700126 | Wrench, Bent |

* Parts included in 990199

NOTE: We reserve the right to substitute accessories of equal value

DREMEL MOTOR SHOP MODEL 571-5 . . . PARTS LIST



| Code No. | Part No. | Description |
|----------|----------|--|
| 1 | 445105 | Guard |
| 2 | 990871 | Bow Pivot Nuts 10-32 Hex Local Hdwe. (4) |
| 3 | 445130 | Left Frame Side (Small Hole) |
| 4 | 990885 | Hardware 16 Screws and 4 Washers |
| 5 | 990887 | Guide Bushing 1 Pr. (4 Pr. Req'd.) |
| 6 | 445132 | Frame Cover, Lower |
| 7 | 990874 | Connecting Link (Complete) |
| 8 | 990764 | Bow Arm |
| 9 | 990765 | Bow Arm w/Wrist Pin |
| 10 | 445063 | Spring |
| 11 | 990877 | Switch Assembly |
| 12 | 445129 | Right Frame Side (Large Hole) |
| 13 | 990878 | Bow Pivot Screw 10-32 x 1-3/4 Local Hdwe. (4) |
| 14 | 990884 | Motor Mount Screws (2 Lower, 1 Upper) |
| 15 | 445073 | Base w/o Feet |

| Code No. | Part No. | Description |
|----------|----------|---|
| 16 | 990880 | Suction Cups Long & 2 Screws |
| 17 | 990881 | Suction Cups Short & 2 Screws |
| 18 | 990883 | Housing Extension & Screws |
| 19 | 404038 | Cord |
| 20 | 990149 | Table Slide Bracket Assembly |
| 21 | 445030 | Table w/Quadrant |
| 22 | 990185 | Motor Complete w/Housing & Cord |
| 23 | 990888 | Screw #10 Sheet Metal 5/8 Long Local Hdwe. (5) |
| 24 | 4211 | Arbor Adapter |
| 25 | 4214 | Rubber Backing Pad |
| 26 | 8029 | Saw Blade - Fine (5 per pack) |
| | 8030 | Saw Blade - Coarse (5 per pack) |
| 27 | 284000 | Cable Clamp |
| 28 | 445044 | Cord Strain Relief |
| 29 | 445131 | Frame Cover, Upper |

WRITE FOR CURRENT PRICES - NO C.O.D.'s

UNITED STATES

Dremel Service Center, 4915 Twenty-first St., Racine, WI 53406
Dremel Service Center, 4631 E. Sunny Dunes, Palm Springs, CA 92264

OUTSIDE OF CONTINENTAL UNITED STATES

See your local distributor or write to Dremel,
4915 Twenty-first St., Racine, WI 53406, U.S.A.